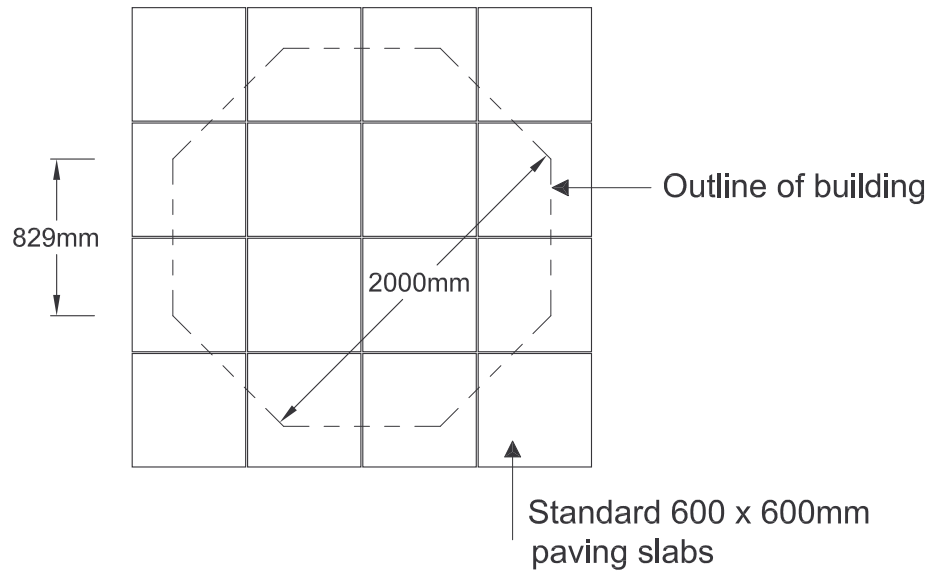
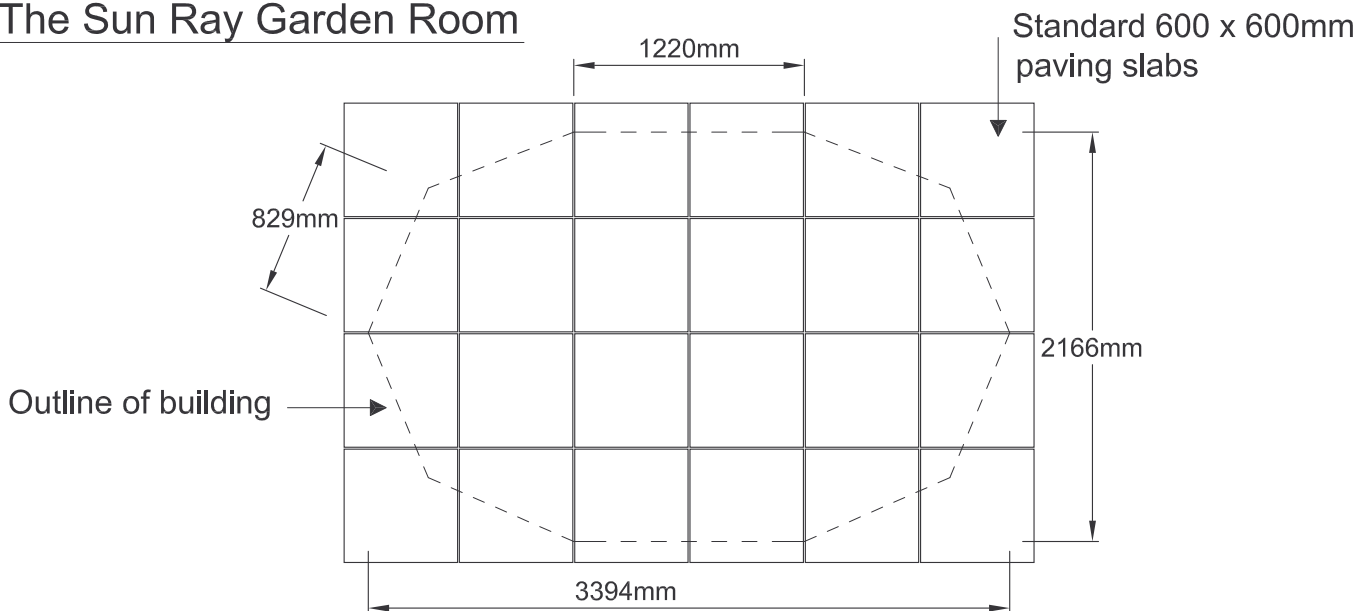


The Baltimore/Balmoral Range



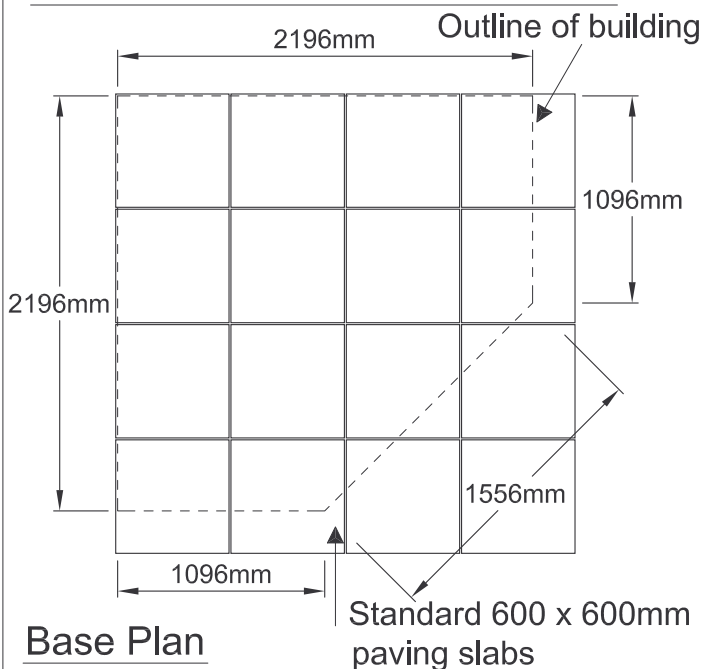
Base Plan

The Sun Ray Garden Room



Base Plan

The Newhaven Corner Gazebo



Base Plan

-Paving slabs or concrete to be laid level to either size of the floor or to larger area as shown.

-In exposed locations you can fit restraining straps to anchor the building down. For further advice contact Scotts or your agent.

-Please note that with rotating bases no restraining straps are required.