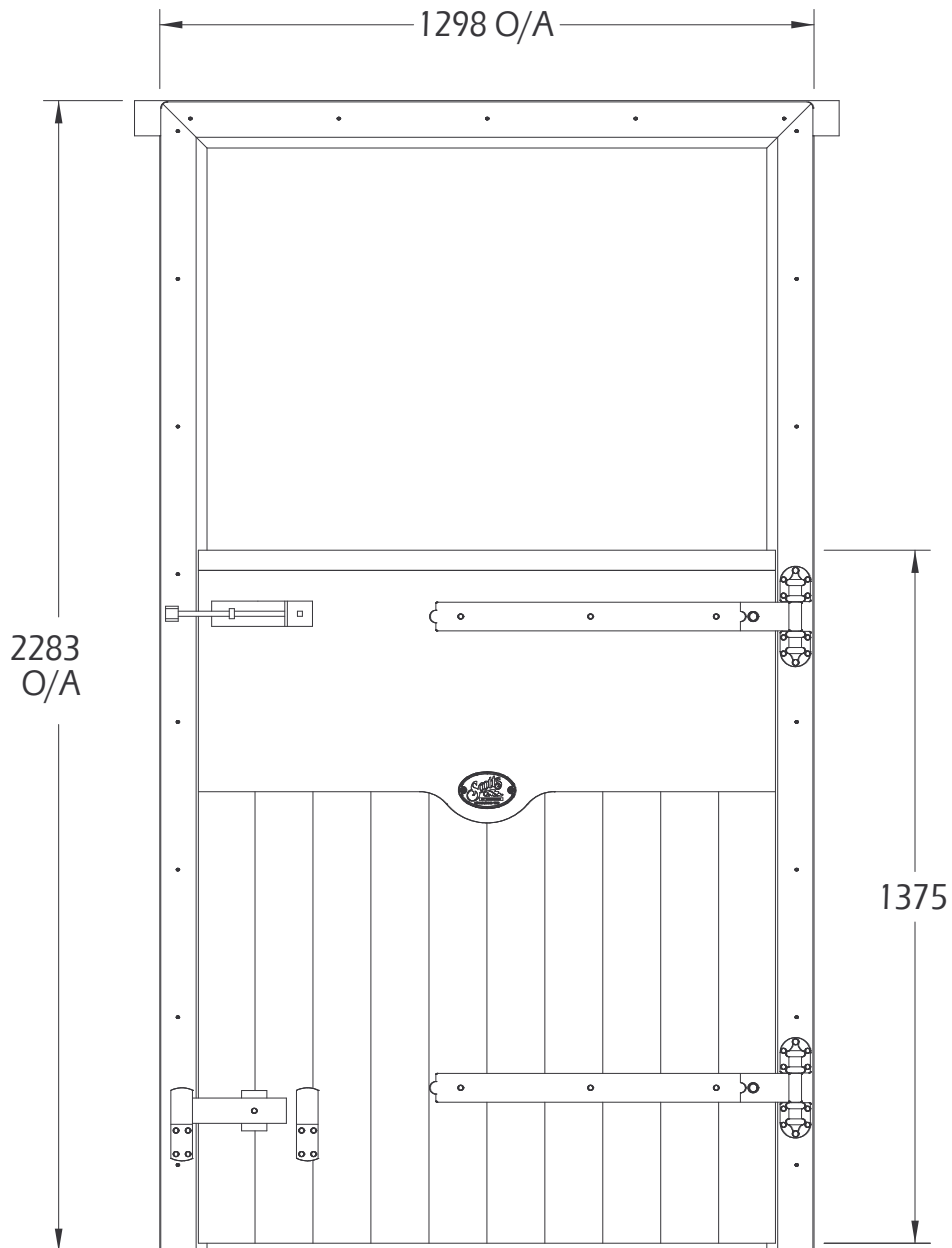


NEWMARKET BOTTOM DOOR & FRAME



NOTES:

APERTURE SIZE 2288 mm (h) x 1303 mm (w)
OVERALL FRAME SIZE 2283 mm (h) x 1298 mm (w)
OVERALL DOOR SIZE 1375 mm (h) x 1145 mm (w)
DOOR FRAME & CAPPING IN GALVANISED STEEL, FACTORY FITTED
SCREWS FOR HINGES 50 mm x 12 COUNTERSUNK
& M10 BOLTS x 2 No. (1 No./HINGE)
SCREWS FOR PADBOLT 38 mm x 10 ROUNDHEAD
SCREWS FOR KICKOVER CATCH 50 mm x 10 COUNTERSUNK
SCREWS FOR CABIN HOOKS 25 mm x 8 COUNTERSUNK
DOOR CAN BE HUNG OPPOSITE TO DRAWING