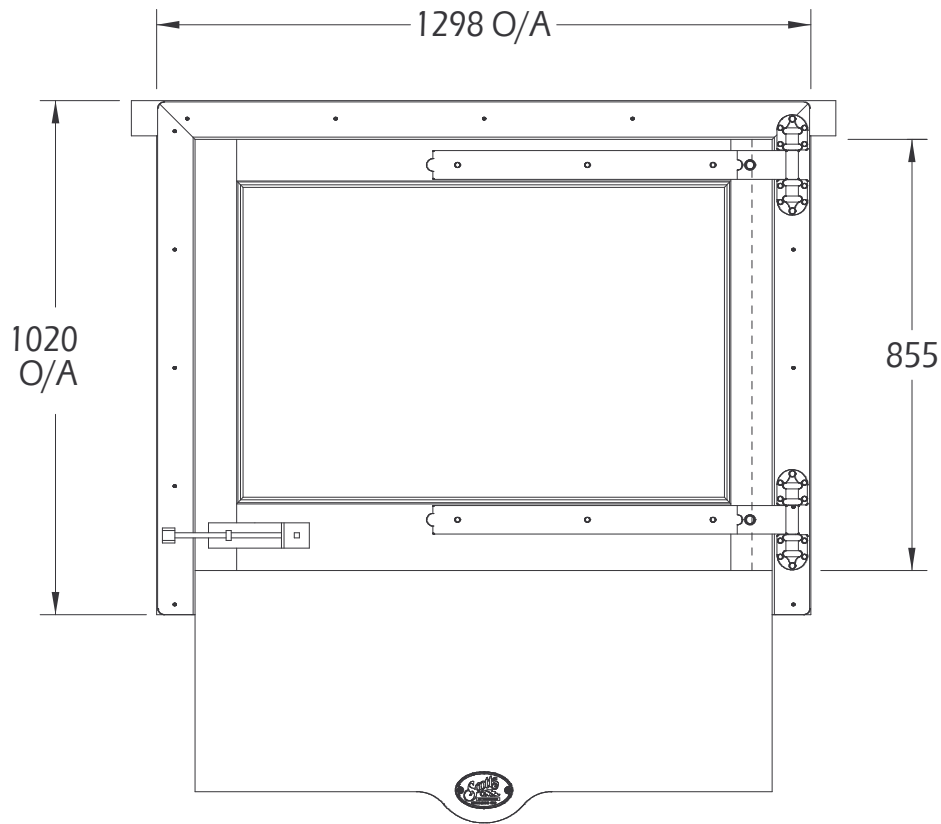


NEWMARKET GLAZED TOP DOOR



NOTES:

APERTURE SIZE 1023 mm (h) x 1303 mm (w)
OVERALL FRAME SIZE 1020 mm (h) x 1298 mm (w)
OVERALL DOOR SIZE 855 mm (h) x 1145 mm (w)
MORTISE & TENON CONSTRUCTION DOOR
6 mm THICK PERSPEX HELD IN PLACE WITH 20 mm x 13 mm
MITRED GLAZING BEADS
GALVANISED MESH WITH PROTECTIVE EDGES FITTED
TO INSIDE OF DOOR
DOOR FRAME & CAPPING IN GALVANISED STEEL
800 mm LONG ANTI-CHEW STRIP TO BE FITTED BY CUSTOMER
TO HUNG SIDE OF TOP DOOR (DENOTED BY DOTTED LINE)
SCREWS FOR HINGES 50 mm x 12 COUNTERSUNK
& M10 BOLTS x 2 No. (1 No./HINGE)
SCREWS FOR PADBOLT 38 mm x 10 ROUNDHEAD
SUPPLIED WITH CABIN HOOK TO BE FITTED BY CUSTOMER
SCREWS FOR CABIN HOOK 25 mm x 8 COUNTERSUNK
DOOR CAN BE HUNG OPPOSITE TO DRAWING
CAPPING SENT LOOSE TO BE FITTED BY CUSTOMER